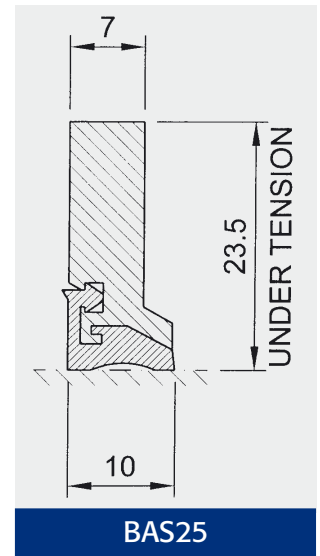
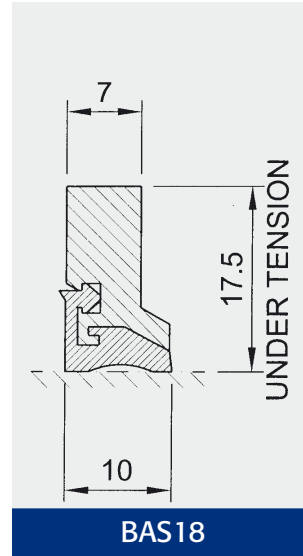
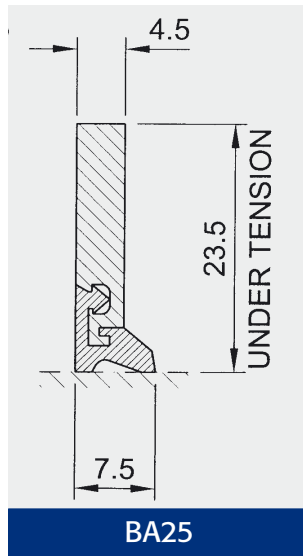
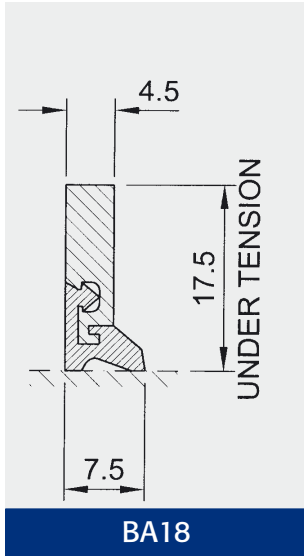
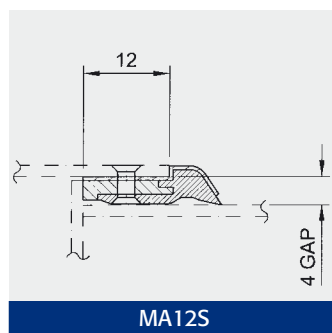
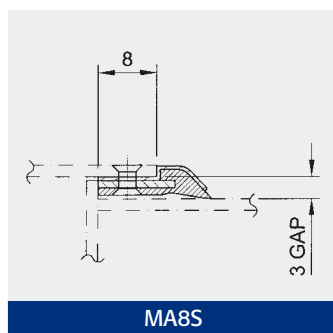
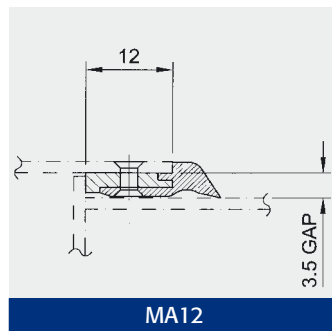
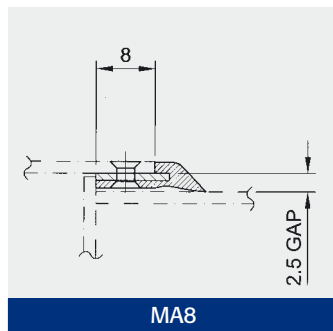


beakbane slideway wiper range



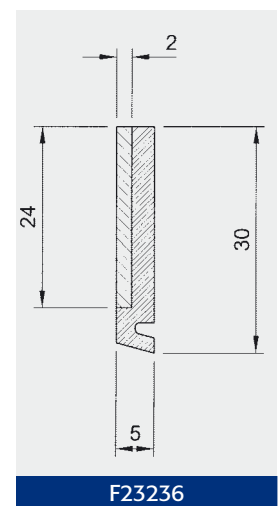
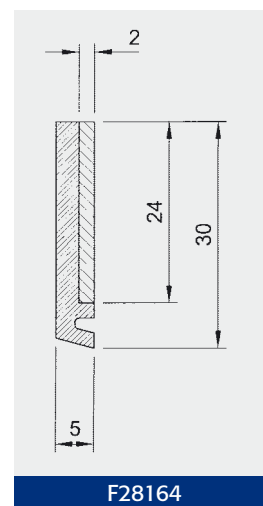
Standard 'BA' Type Wipers

- Polyurethane wiping lip, - High Abrasion Resistance.
- Maintains Flexibility from -40°C to 100°C.
- Resistant to most oils.
- Can be Fabricated and Supplied to Customer's Profiles.



Standard 'MA' Type Wipers

- Replaceable Range.
- Polyurethane Wiper Bonded to Metal Stiffener.
- Adjustable Fitting - Drill and then screw or rivet to suit.
- Can be supplied with Protective casing.

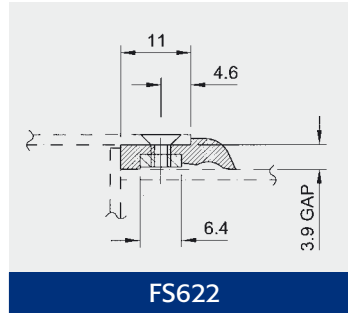
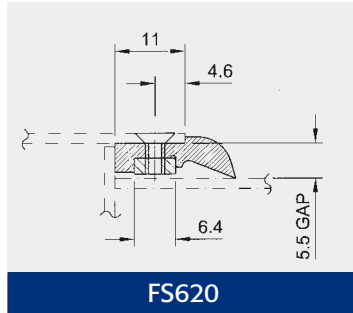
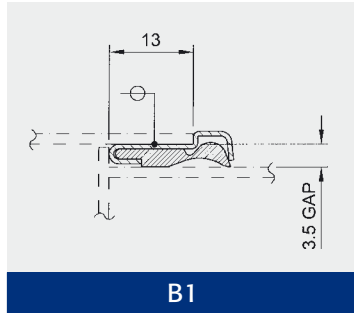


Nitrile Rubber Plate Wipers

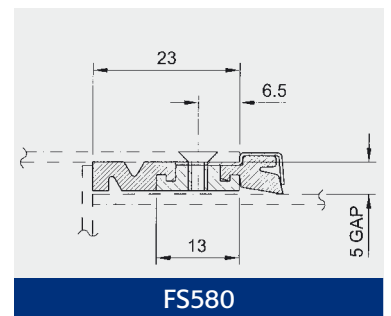
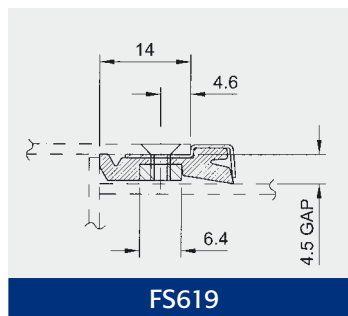
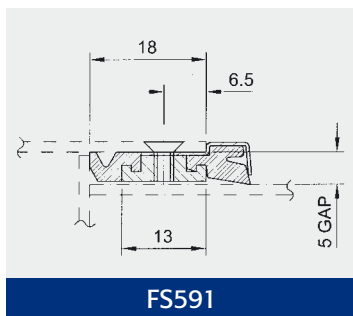
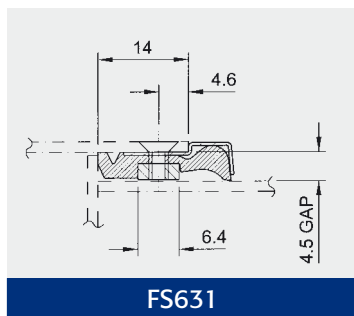
Beakbane Wiper Kits for Steel Covers used in Machine Tool Applications

- Polyurethane or NBR Wipers.
- Range of Sizes available to suit Box Gaps.
- Can include Dampening Profiles, or available separately.
- Supplied in Kit Packs.

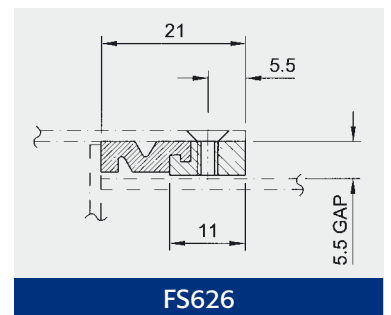
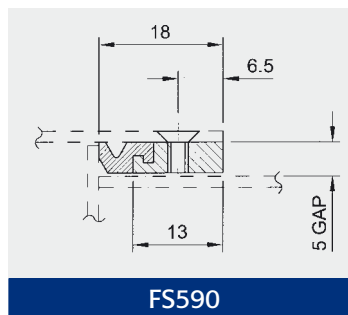
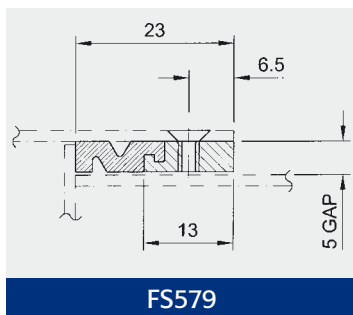
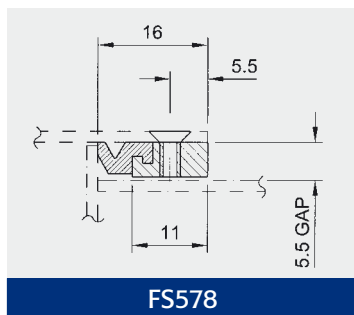
Box Leading Edge Wipers



Box Leading Edge Wipers with Damper



Box Side Brasses with Damper



Contact

Sales Office for Kit Details and Prices or
Email: info@beakbane.co.uk